

10.4.4 Port D Operation

Port D has the same functionality as other GPIO ports, except that it also has interrupt capabilities. It should be used as either a general-purpose, interrupt-generating port or as a keyboard input port. Figure 10-3 illustrates how this type of port operates.

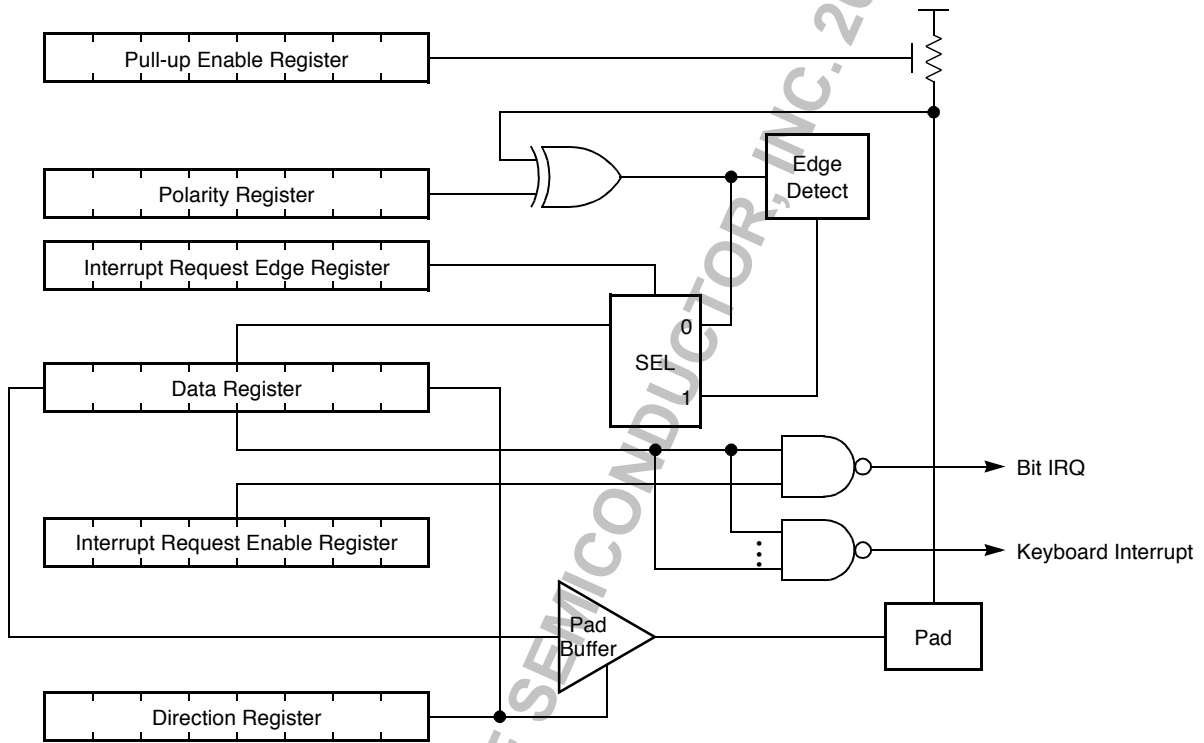


Figure 10-3. Interrupt Port Operation

Port D generates nine interrupt signals. Eight of these interrupts are generated by the bits of each port. One bit is the logical OR result of all eight bits, which is applied to the MC68VZ328 interrupt controller as a level 4 keyboard interrupt (KB) in the interrupt status register. See Section 9.6.4, “Interrupt Status Register,” on page 9-12 for more details.

FREESCALE SEMICONDUCTOR, INC.

ARCHIVED BY FREESCALE SEMICONDUCTOR, INC. 2003

Document of an order from the United States International Trade Commission. DCA numbered product lines and part numbers indicated here currently.